

Insert bushings

Aluminium / for round tube and square tube

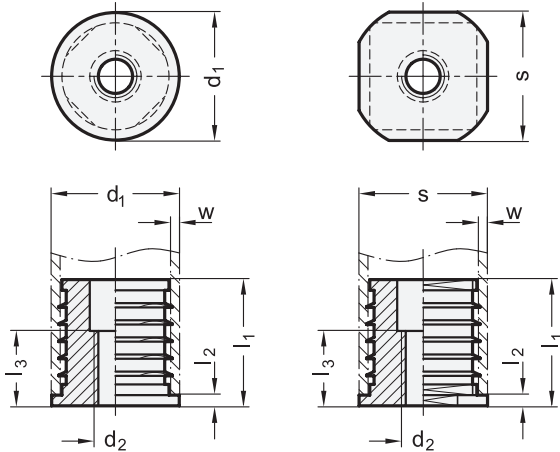
SPECIFICATION

Aluminium
blank

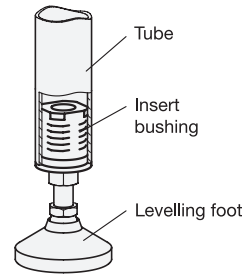
INFORMATION

Drive the insert bushings GN 992 in by using a soft-head mallet. Their lamellas bridge a production tolerance of the internal diameter or of the internal square of ± 0.5 mm, allowing screws to be mounted in tubes.

The dimensions match those of the construction tubes GN 990 (see page 1902), but checking the tolerance position of the tube is recommended.



Application example



GN 992-D

| Description | d1 | d2 | l1 | l2 | l3 +0.5 | w | For tube GN 990 | |
|----------------|------|------|------|-----|------------|---|--------------------|-----|
| GN 992-D20-M8 | D 20 | M 8 | 29.5 | 2.5 | 16 | 2 | D 20 | 10 |
| GN 992-D25-M8 | D 25 | M 8 | 33.5 | 2.5 | 16 | 2 | D 25 | 22 |
| GN 992-D25-M10 | D 25 | M 10 | 33.5 | 2.5 | 16 | 2 | D 25 | 22 |
| GN 992-D30-M8 | D 30 | M 8 | 33.5 | 2.5 | 18 | 2 | D 30 | 34 |
| GN 992-D30-M10 | D 30 | M 10 | 33.5 | 2.5 | 18 | 2 | D 30 | 45 |
| GN 992-D32-M8 | D 32 | M 8 | 33.5 | 2.5 | 18 | 2 | D 32 | 50 |
| GN 992-D32-M10 | D 32 | M 10 | 33.5 | 2.5 | 18 | 2 | D 32 | 50 |
| GN 992-D35-M10 | D 35 | M 10 | 37.5 | 2.5 | 24 | 2 | D 35 | 55 |
| GN 992-D35-M12 | D 35 | M 12 | 37.5 | 2.5 | 24 | 2 | D 35 | 55 |
| GN 992-D40-M10 | D 40 | M 10 | 41.5 | 2.5 | 24 | 3 | D 40 | 78 |
| GN 992-D40-M12 | D 40 | M 12 | 41.5 | 2.5 | 24 | 3 | D 40 | 78 |
| GN 992-D42-M10 | D 42 | M 10 | 41.5 | 2.5 | 24 | 3 | D 42 | 90 |
| GN 992-D42-M12 | D 42 | M 12 | 41.5 | 2.5 | 24 | 3 | D 42 | 90 |
| GN 992-D45-M12 | D 45 | M 12 | 45.5 | 2.5 | 30 | 3 | D 45 | 110 |
| GN 992-D45-M16 | D 45 | M 16 | 45.5 | 2.5 | 30 | 3 | D 45 | 110 |
| GN 992-D48-M12 | D 48 | M 12 | 45.5 | 2.5 | 30 | 3 | D 48 | 130 |
| GN 992-D48-M16 | D 48 | M 16 | 45.5 | 2.5 | 30 | 3 | D 48 | 130 |
| GN 992-D50-M12 | D 50 | M 12 | 45.5 | 2.5 | 30 | 3 | D 50 | 145 |
| GN 992-D50-M16 | D 50 | M 16 | 45.5 | 2.5 | 30 | 3 | D 50 | 145 |

GN 992-V

| Description | s | d2 | l1 | l2 | l3 +0.5 | w | For tube GN 990 | |
|----------------|------|------|------|-----|------------|---|--------------------|-----|
| GN 992-V20-M8 | V 20 | M 8 | 29.5 | 2.5 | 16 | 2 | V 20 | 11 |
| GN 992-V25-M8 | V 25 | M 8 | 33.5 | 2.5 | 16 | 2 | V 25 | 22 |
| GN 992-V25-M10 | V 25 | M 10 | 33.5 | 2.5 | 16 | 2 | V 25 | 22 |
| GN 992-V30-M8 | V 30 | M 8 | 33.5 | 2.5 | 18 | 2 | V 30 | 41 |
| GN 992-V30-M10 | V 30 | M 10 | 33.5 | 2.5 | 18 | 2 | V 30 | 52 |
| GN 992-V35-M10 | V 35 | M 10 | 37.5 | 2.5 | 24 | 2 | V 35 | 60 |
| GN 992-V35-M12 | V 35 | M 12 | 37.5 | 2.5 | 24 | 2 | V 35 | 60 |
| GN 992-V40-M10 | V 40 | M 10 | 41.5 | 2.5 | 24 | 3 | V 40 | 90 |
| GN 992-V40-M12 | V 40 | M 12 | 41.5 | 2.5 | 24 | 3 | V 40 | 88 |
| GN 992-V45-M12 | V 45 | M 12 | 45.5 | 2.5 | 30 | 3 | V 45 | 165 |
| GN 992-V45-M16 | V 45 | M 16 | 45.5 | 2.5 | 30 | 3 | V 45 | 120 |
| GN 992-V50-M12 | V 50 | M 12 | 45.5 | 2.5 | 30 | 3 | V 50 | 165 |
| GN 992-V50-M16 | V 50 | M 16 | 45.5 | 2.5 | 30 | 3 | V 50 | 160 |

